

Q₄ LSV Variable Speed Pump

Introducing the Insnrg Q₄ LSV Pump Quiet, Efficient, and Built to Last

4-pole pump motors have long been the standard for commercial pool applications due to their quieter operation and enhanced durability. By rotating at half the speed of the common 2-pole motors used in residential pools, 4-pole motors deliver superior longevity and reliability. Insnrg's Q₄ LSV Pump combines the advantages of variable speed control with a 4-pole motor, reducing motor speed by nearly half. The result? An incredibly quiet, highly efficient, and long-lasting pump designed for residential and small commercial pools.

Advanced Performance, Unmatched Efficiency

The challenge with 4-pole variable speed motors has always been maintaining high water flow and pressure at low operating speeds. Insnrg has solved this with a unique diffuser and impeller design that achieves:

An impressive flow rate of 560 litres per minute at just 2000 RPM.
Exceptional pressure of 185 kPa, perfect for spa jets and in-floor cleaning applications where pressure is critical.

In addition, the pump's innovative inlet weir and diffuser design dramatically improve priming performance, enabling the pump to fully prime at speeds as low as 1000 RPM—a feat unmatched by conventional variable speed pumps.

Flexible Speed Control for Any Application

With variable speed operation ranging from 600 RPM to 2000 RPM, the Q₄ LSV Pump is the ideal solution for any residential or small commercial pool. Its benefits far surpass those of traditional variable speed pumps:

- **Ultra-quiet operation** thanks to low-speed motor rotation.
- **Enhanced durability** due to reduced friction and wear on moving parts.
- **Significant energy savings** with optimized efficiency at lower speeds.
- **Unmatched flow rate per unit of power consumed.**

Seamless Integration with Insnrg inTouch Automation



The Q₄ LSV Pump integrates effortlessly with Insnrg's **inTouch Automation system**, giving you full control of timers and flow rates from your smartphone, tablet, or computer. The continuously adjustable speed control ensures the perfect flow rate for any pool application.

The **Insnrg Q₄ LSV Pump** is the next evolution in residential and small commercial pool pumping technology. Experience the perfect balance of quiet operation, durability, and performance.

Key Features

Reduced motor speed for ultra-quiet operation and extended lifespan.

- ✓ Improved priming capability, even at ultra-low speeds.
- ✓ Optimised diffuser and impeller design for exceptional flow and pressure.
- ✓ Energy-efficient performance for lower operating costs.
- ✓ Ultra-low speed motor and control for silent operation without sacrificing flow or pressure.
- ✓ Large basket reduces cleaning frequency and maintenance.
- ✓ Complete remote control with Insnrg inTouch Automation.



Ultra Heavy Duty Design

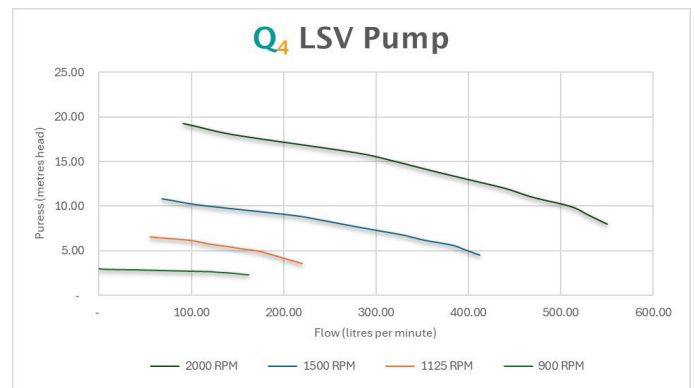
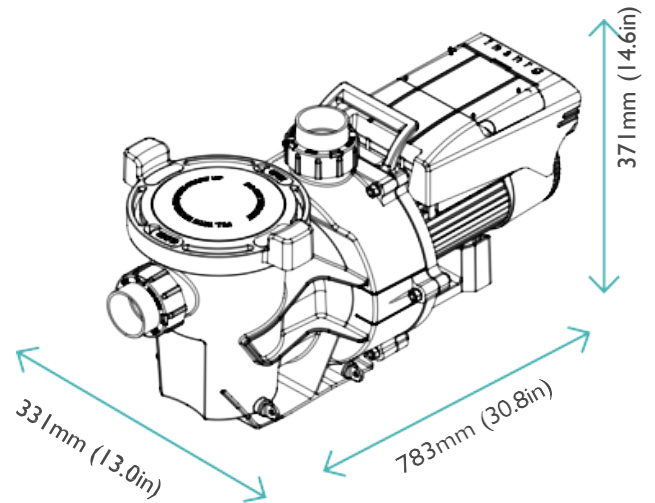
To enable the high performance of the Q₄ with a low speed 4-pole motor, all motor components are oversized to ensure long life and dependability. A comparison to conventional 2-pole motors highlights the engineering in the Q₄ motor.

Conventional 2-pole motor Insnrg 4-Pole motor



MODEL	Q4 LSV Variable Speed Pump			
Speed	i	ii	iii	iv
(Factory setting) RPM	900	1215	1500	1950
Input Watts	180	450	940	1870
Volts	230	230	230	230
Flow Rate (lpm)	187	252	370	560
Head (m)	1.5	2.8	4.5	7.0
Current	0.8	2.0	4.1	8.7

Specifications and Dimensions



Relax, your covered (warranty support)

Your Q₄ Pump comes complete with a 3 year limited warranty covering defects in manufacture and assembly. Refer to owner's manual for full warranty details at www.insnrg.com

After Sales Support

Talk to a real person for real advice and rest assured our in house in field Service Technicians are the best trained in the industry.

Want more information? Call Insnrg on 1800 467 674

insnrg POOL & SPA EQUIPMENT
www.insnrg.com