







ECHOLOCK 1600

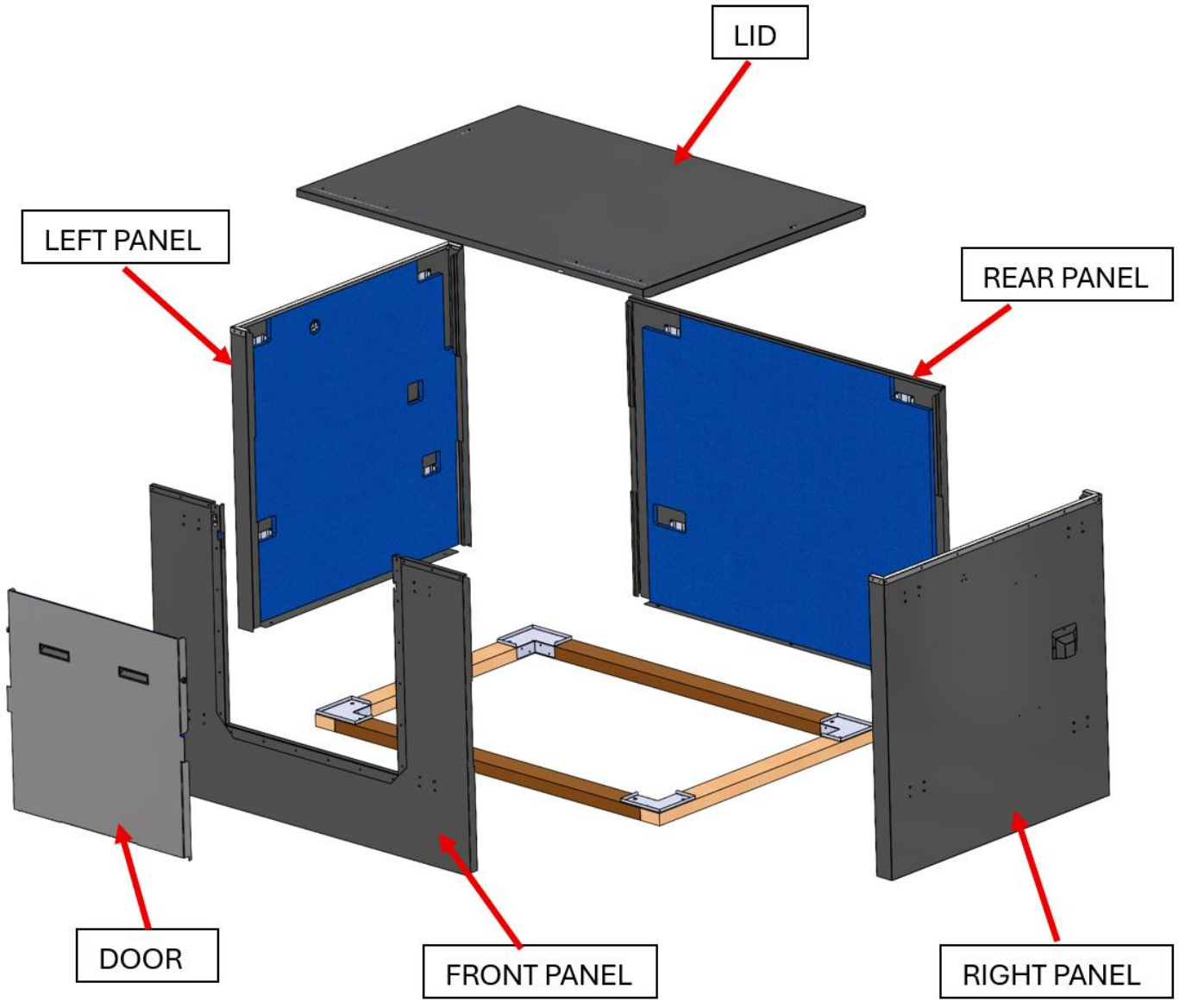
Assembly Procedure



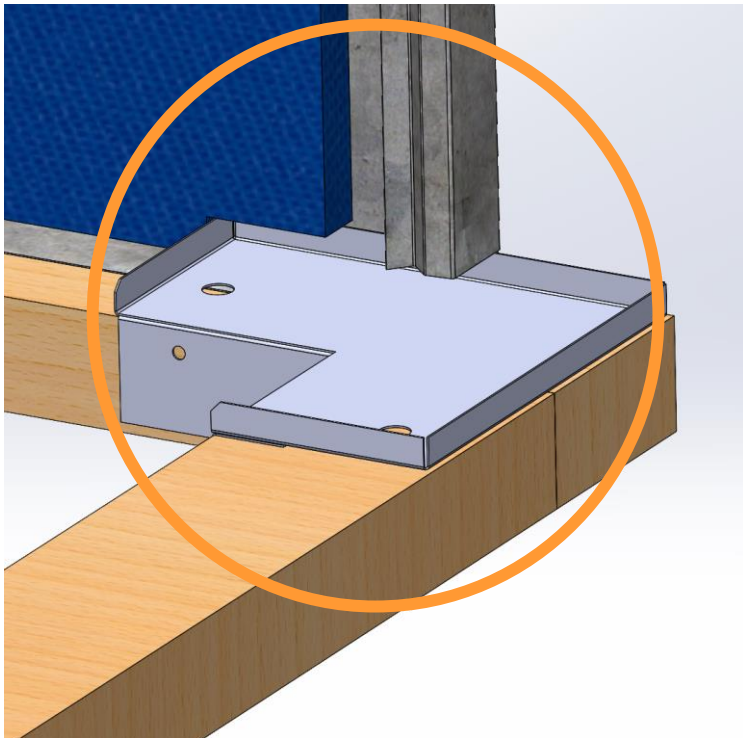
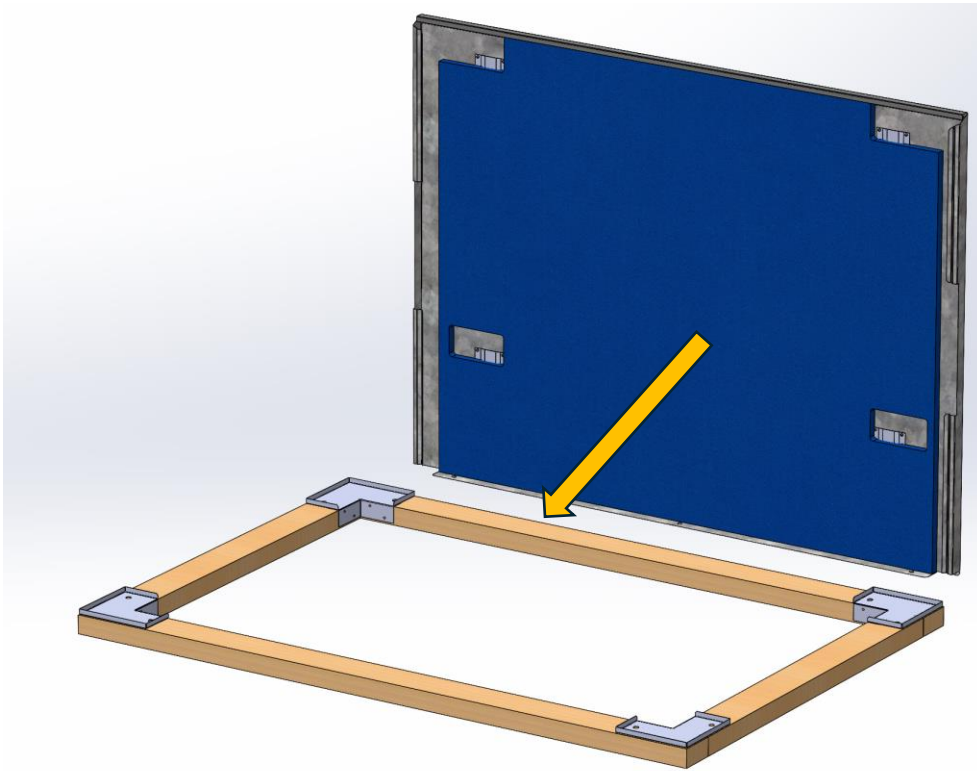
Accessories List

NAME	IMAGE	QUANTITY
Locking assembly: REAR LEFT	 <p>A rectangular metal locking assembly with a central slot and a small white label that reads "REAR LEFT".</p>	2
Locking assembly: REAR RIGHT	 <p>A rectangular metal locking assembly with a central slot and a small white label that reads "REAR RIGHT".</p>	2
Locking assembly: FRONT LEFT	 <p>A rectangular metal locking assembly with a central slot and a small white label that reads "FRONT LEFT".</p>	2
Locking assembly: FRONT RIGHT	 <p>A rectangular metal locking assembly with a central slot and a small white label that reads "FRONT RIGHT".</p>	2
Brace: REAR LEFT	 <p>A long, narrow metal brace with a textured surface and a small white label that reads "REAR LEFT".</p>	2

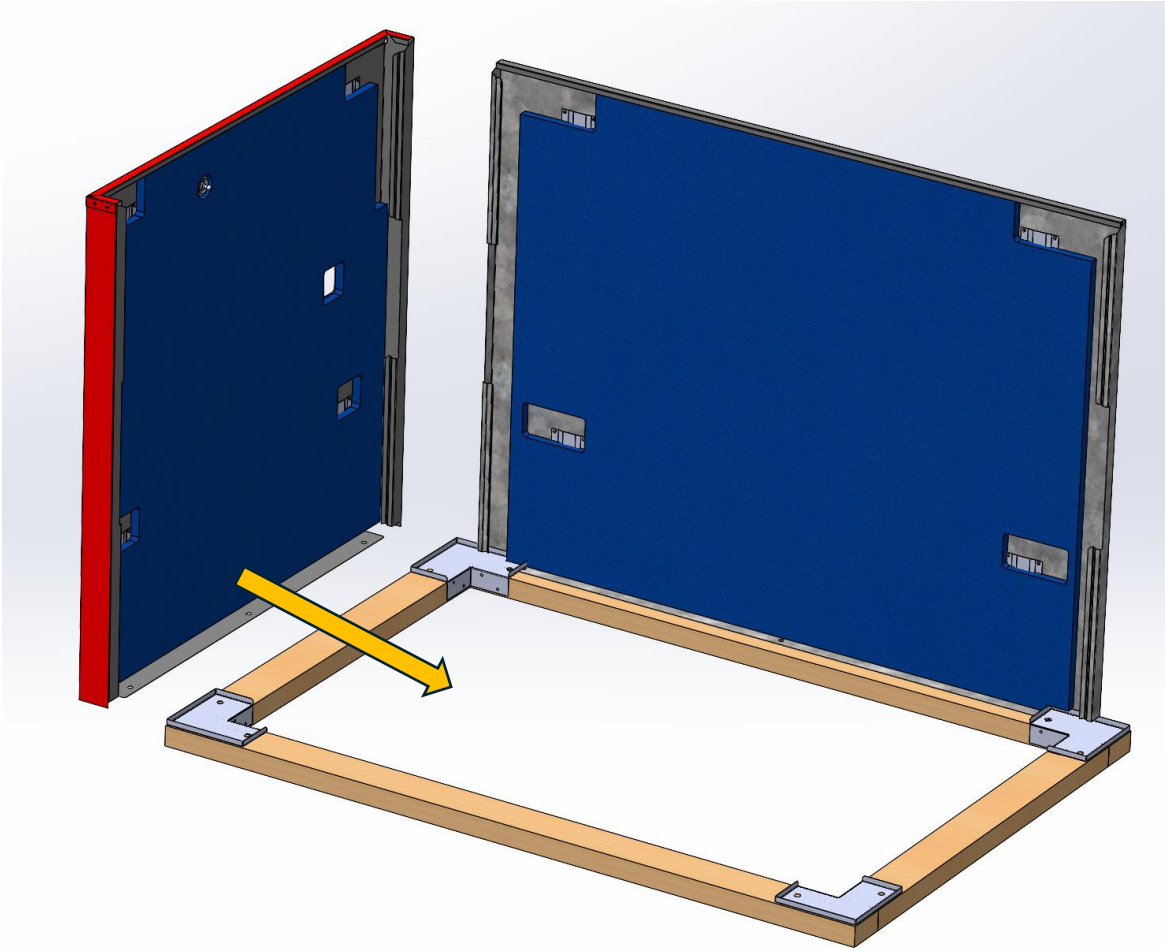
<p>Brace: REAR RIGHT</p>		<p>2</p>
<p>Brace: FRONT LEFT</p>		<p>2</p>
<p>Brace: FRONT RIGHT</p>		<p>2</p>
<p>GAS STRUTS</p>		<p>2</p>
<p>Hinge Pin</p>		<p>2</p>
<p>Retaining Clip</p>		<p>2</p>



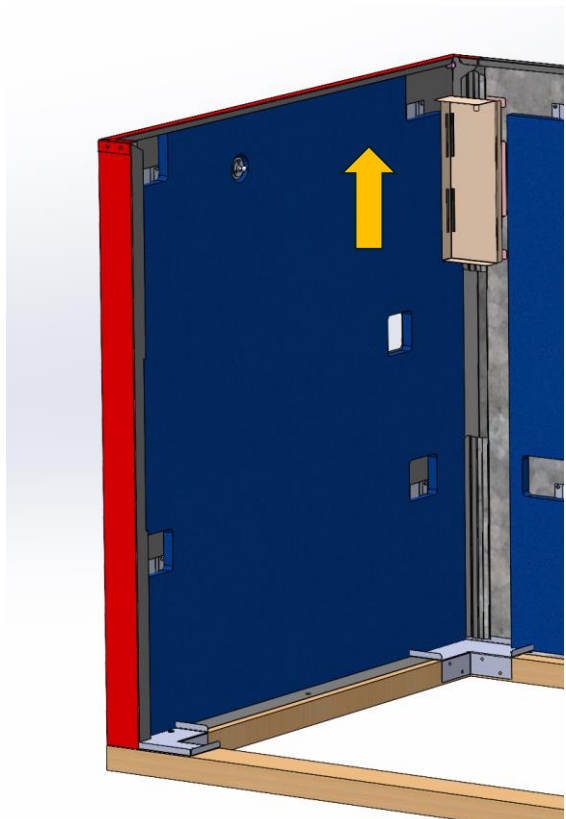
1. Slide in the Rear panel (Skip to Step 3 if a Timber base is not used.)



2. Slide in the Left Side panel



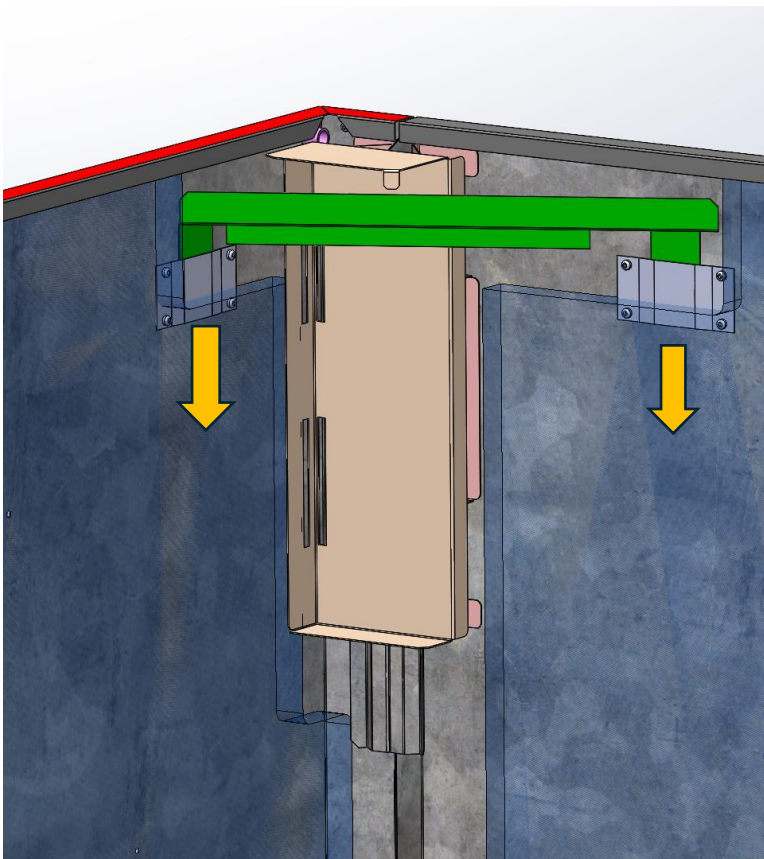
3. Slide the Locking assembly with the “REAR LEFT” label.



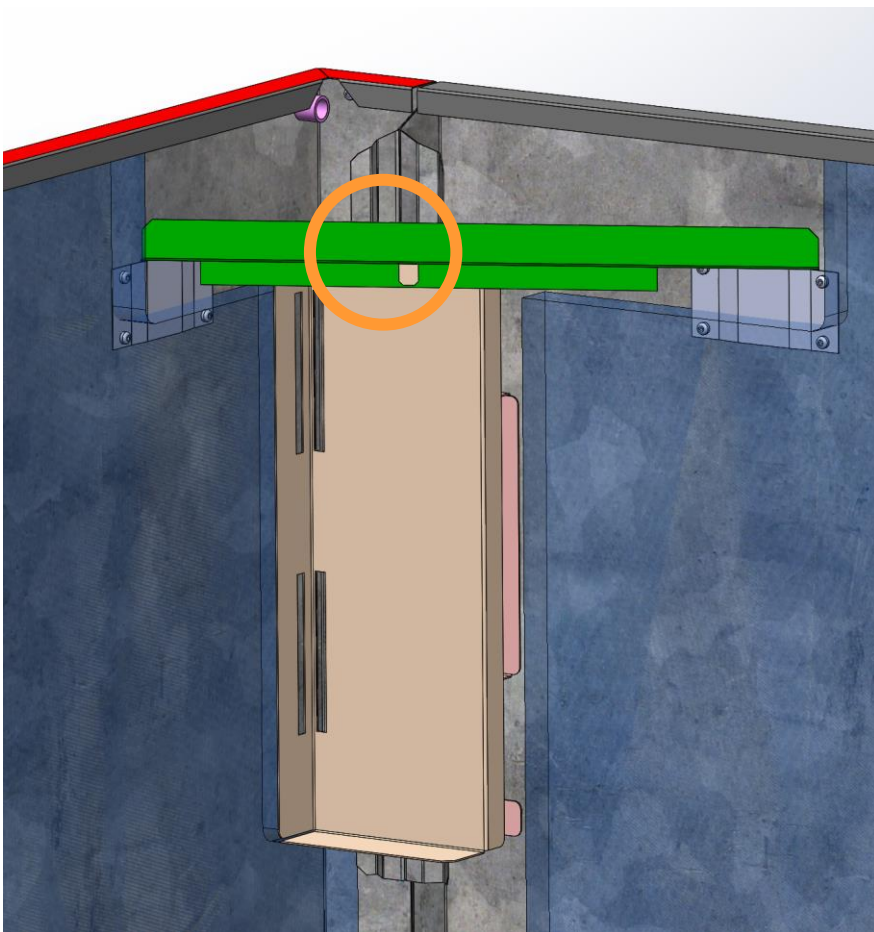
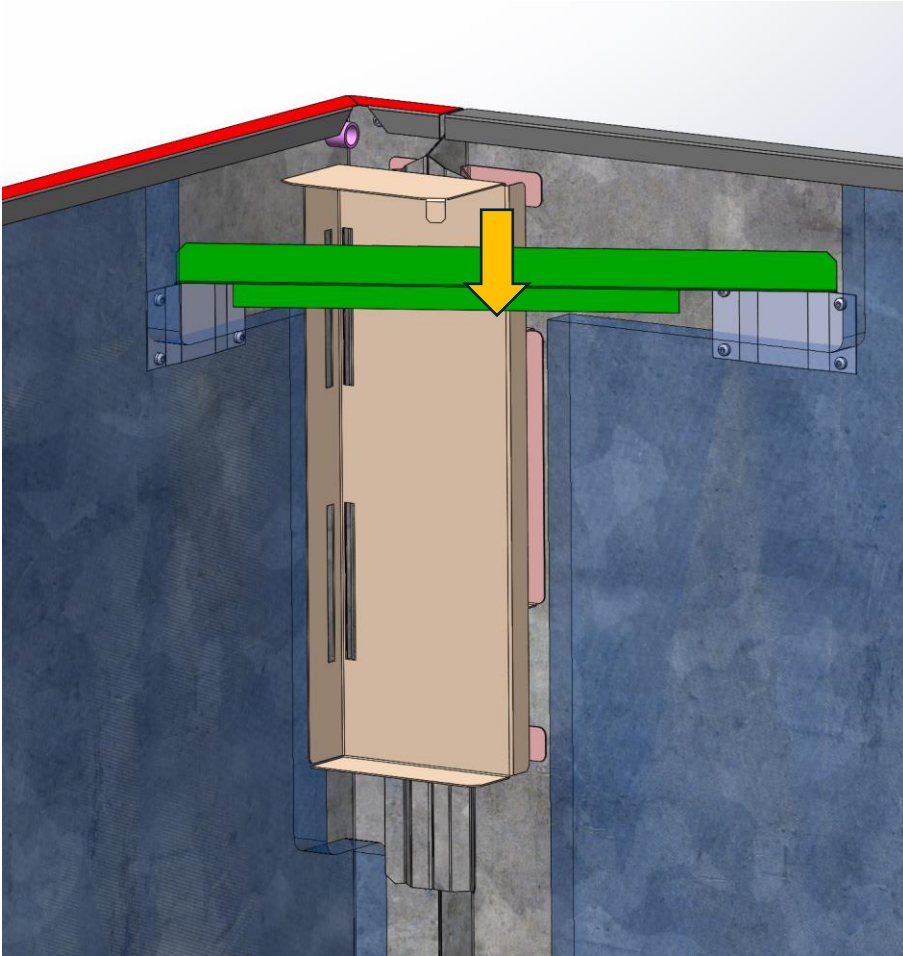
4. Repeat step 3 for the bottom locking assembly

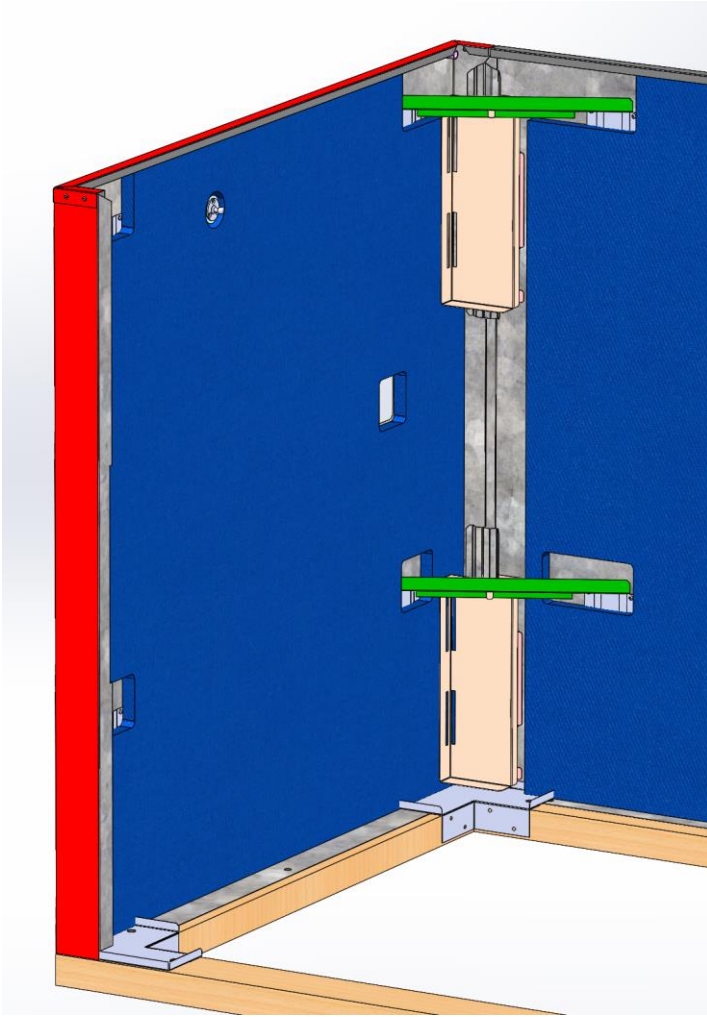


5. Fit Brace with "REAR LEFT" label and Push Down.



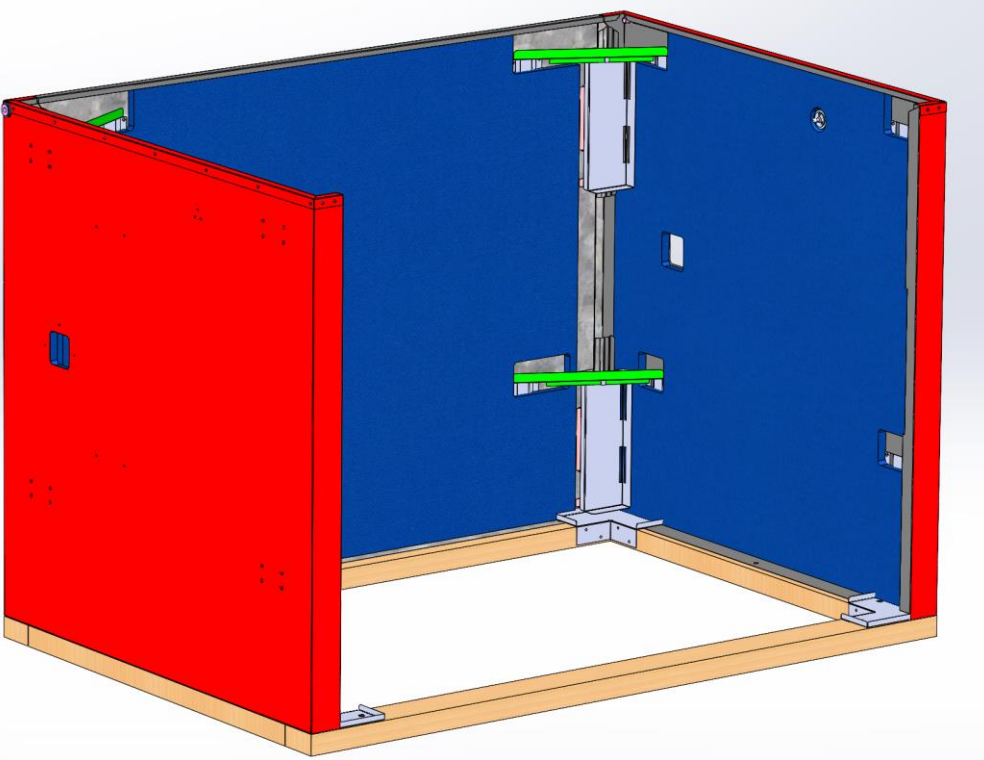
6. Push Locking assembly down to engage with the Brace



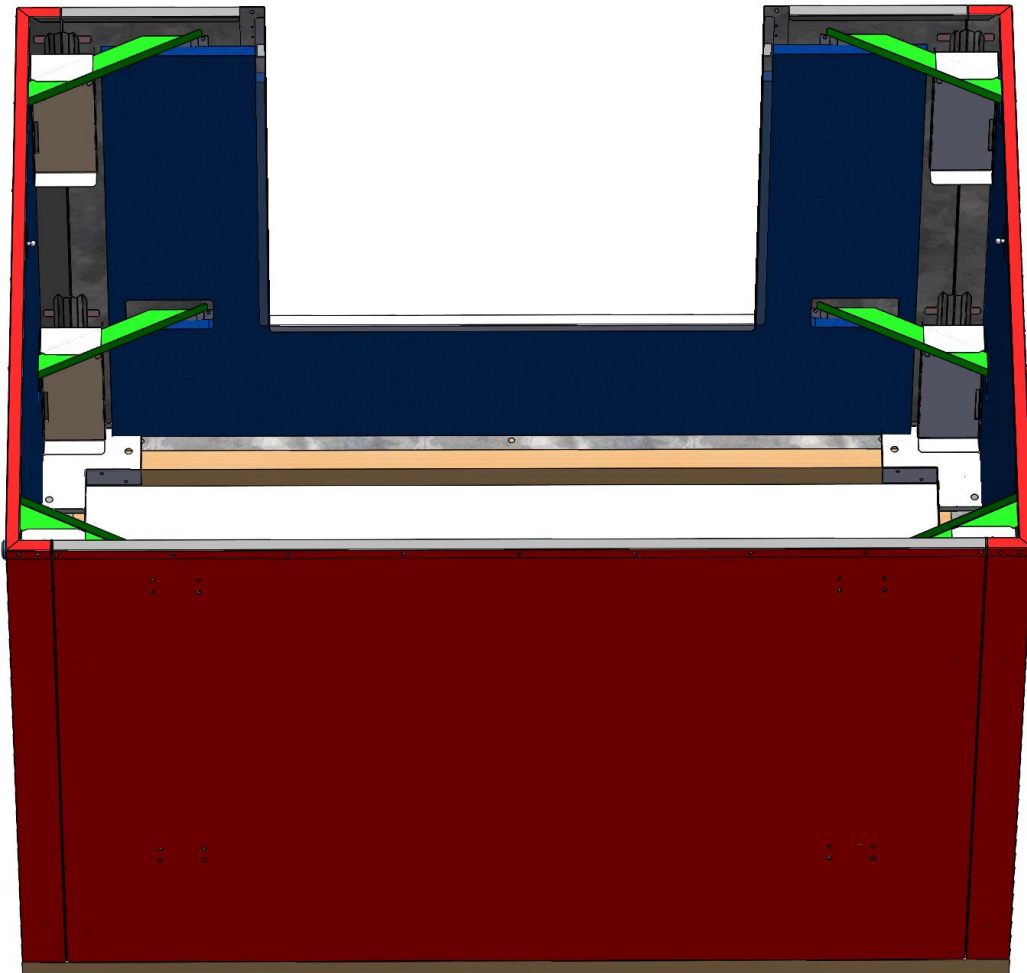


7. Repeat steps 3-6 for the Right-side panel using the Locking assembly and the Brace with “**REAR RIGHT**” labels.

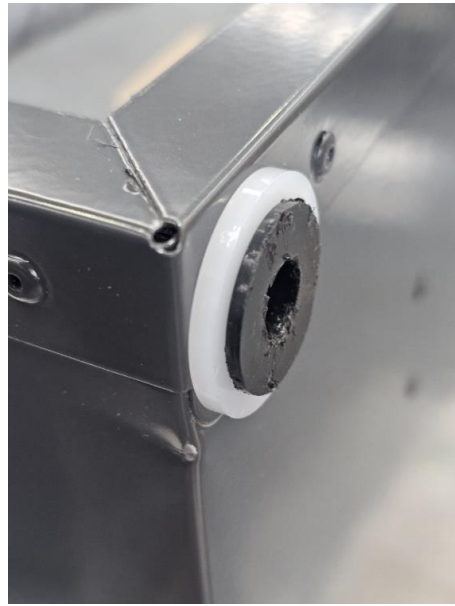
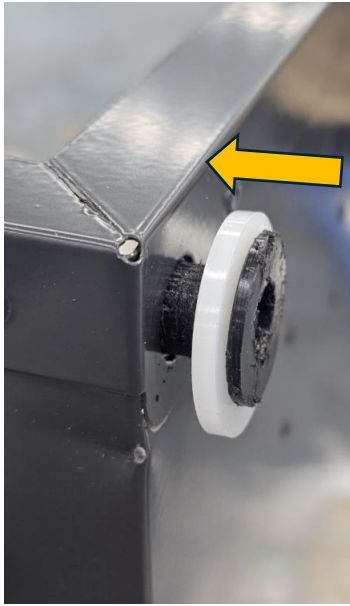




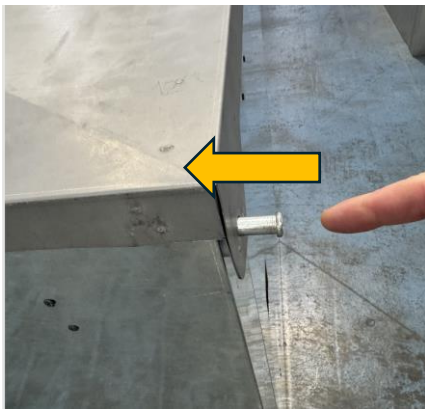
8. Assemble the front panel in a similar manner using the appropriate Locking pillars and Brace.



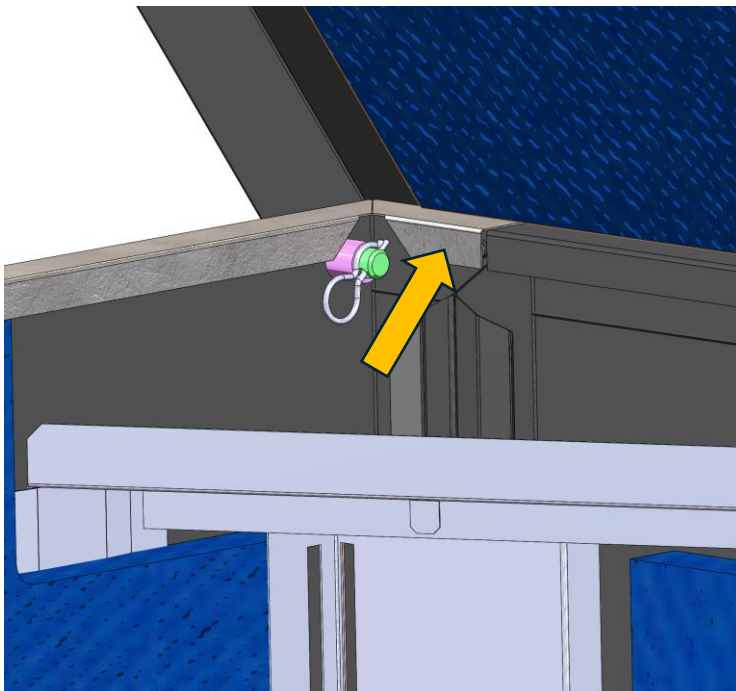
9. Insert the White Washer into the Black Bush and push the assembly into the hole of Side Panel. Repeat the same for the other side.



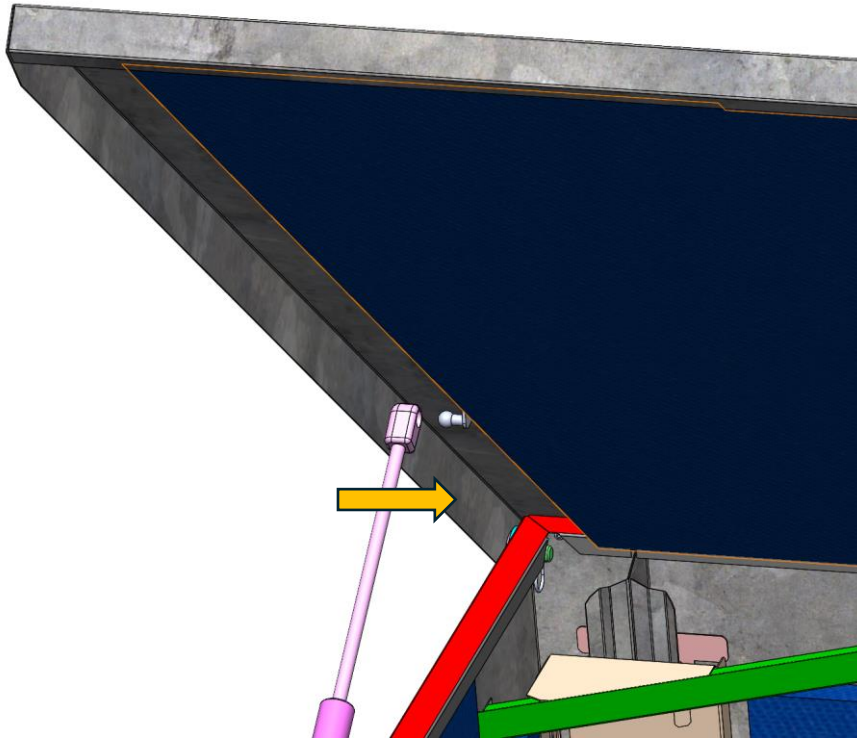
10. Rest the lid on top of the enclosure and push in the Hinge Pin on Both Sides



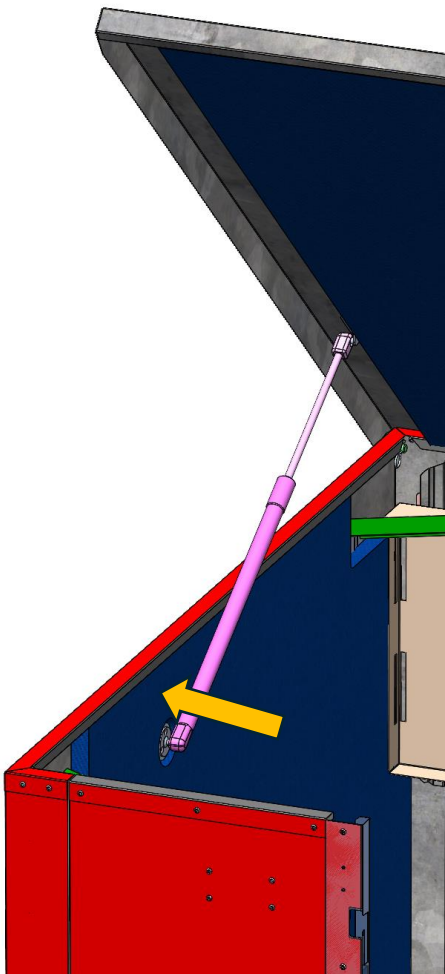
11. Using a Long nose plier fit the retaining clip into the Hinge Pin



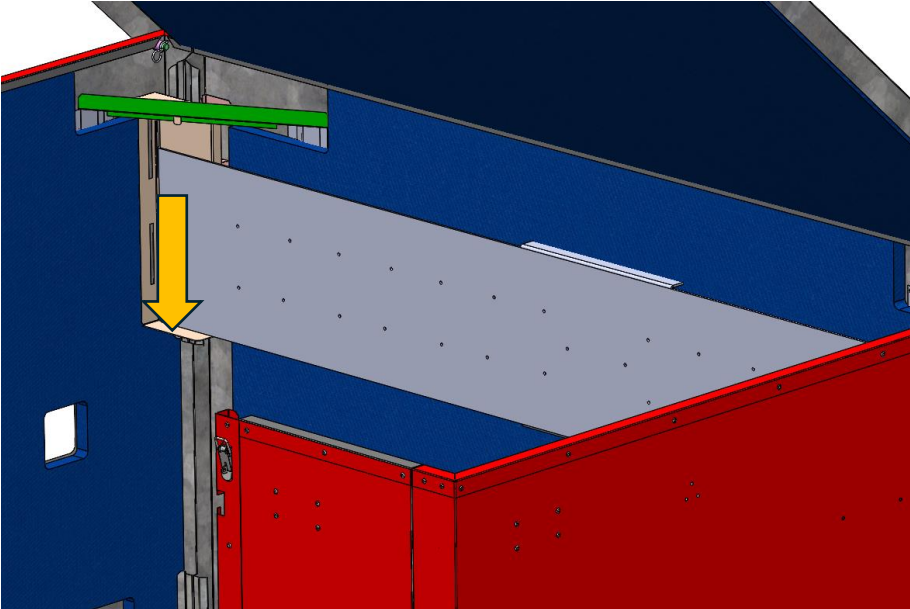
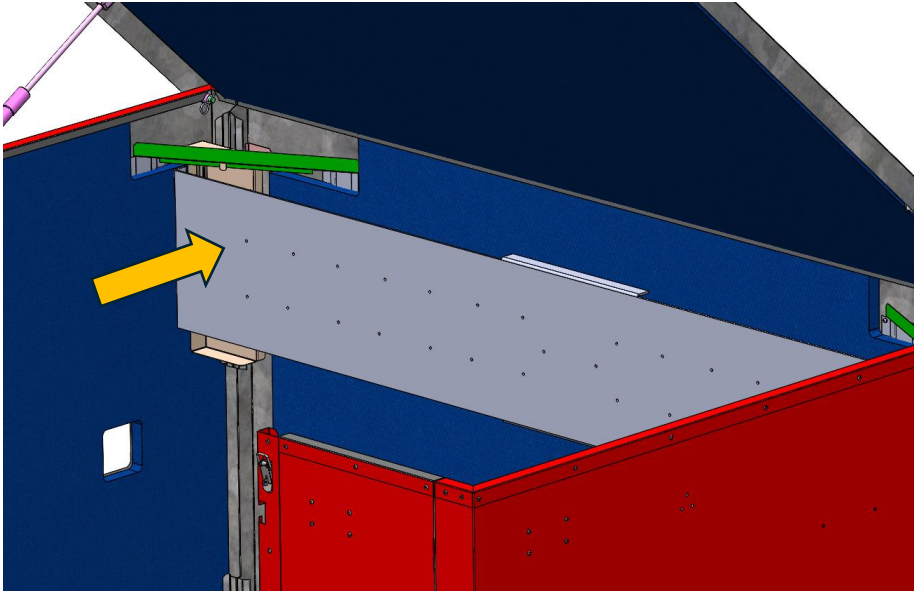
12. Fit the gas struts into the Lid on both sides



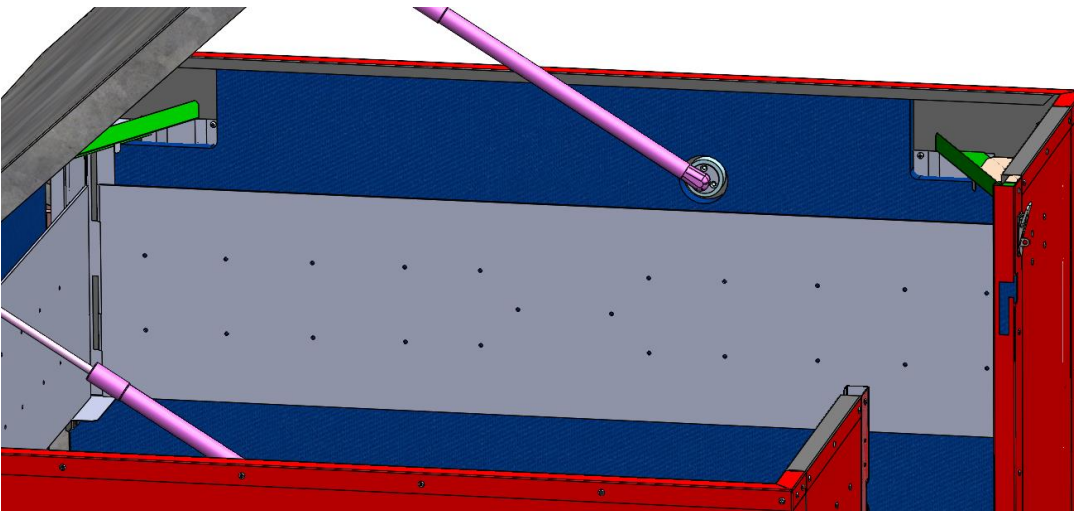
13. Attach the Gas Struts onto the Strut mounting pin on the side panels



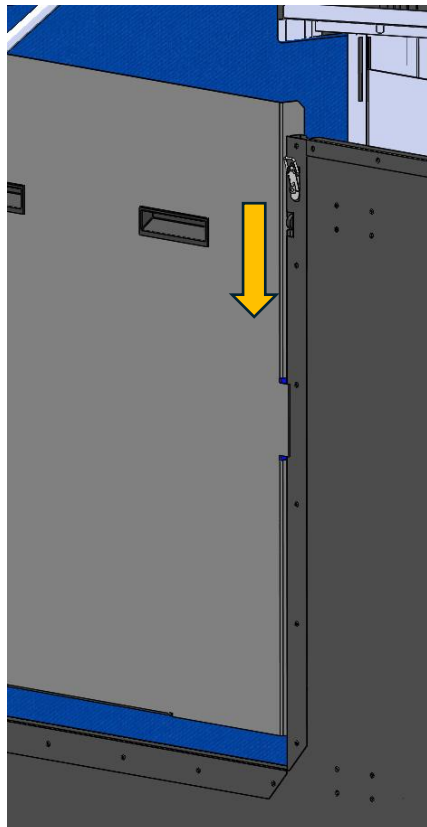
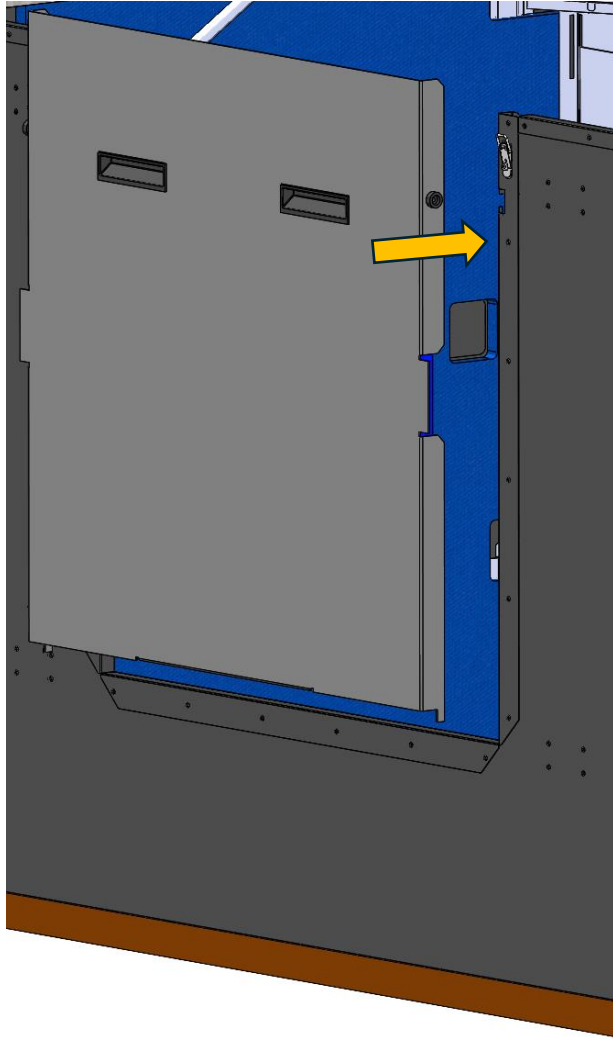
14. Attach the Back panel by pushing the tabs into the cutouts on the locking pillar and sliding it down.



15. Repeat the step 14 to attach the side panel



16. Slide in the door on to the front panel



MAIL

57-59 Nantilla Road,
Clayton, VIC, 3168

LANDLINE

1800 INSNRG (1800 467674)

WEBSITE

www.insnrg.com

ONLINE PARTS

www.insnrgintouchparts.com

EMAIL

sales@insrg.com

InTouch APP

www.insnrgapp.com